



Fire Apparatus Access Road (FAAR) - Checklist

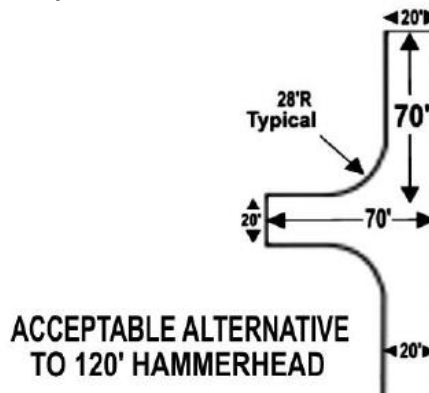
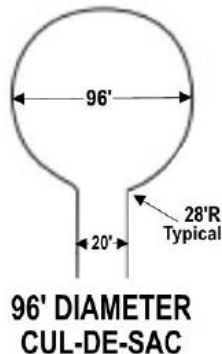
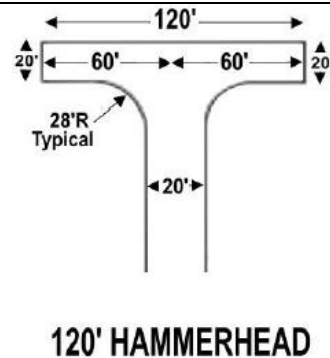
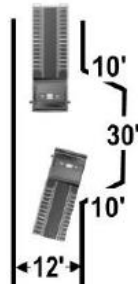
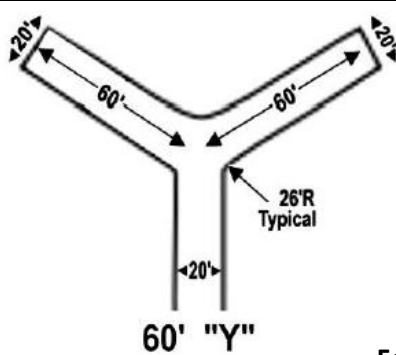
Case #: _____

Fire Apparatus Access Road (FAAR)

Purpose: Allow emergency vehicles to operate safely.

A road that provides fire apparatus access from a fire station to a facility, building or portion thereof. This is a general term inclusive of all other terms such as fire lane, public street, private street, parking lot lane and access road.

Dimension (approx.)	DRIVEWAY DIMENSIONS and REQUIREMENTS
	Driveway Length (Driveway 750 feet or more requires special approval)
	Minimum Driveway Width _____ 12' wide (OK for driveways up to 150' in length). _____ 12' – 19' wide (OK for driveways 151' to 500' in length). <i>(turnouts & turnaround are required)</i> _____ 20' wide (minimum for driveways 501' to 750') <i>(turnaround required)</i> .
REQUIRED YES / NO	
	Turnaround - Required for structures 150' or more from the road/access. Turnaround <i>shall be located as close to the structure as possible, a maximum 150'</i> . Must maintain an unobstructed height of 13' 6".
	Turnouts – (Driveways 12' – 19' wide) A turnout is required at 200' length and within every 300' thereafter. <i>(Not required if driveway is 20' wide)</i> (Turnout shall be 10' wide x 30' long in addition to the width of the driveway)
	Driveway 750 feet or more special approval required.





Fire Apparatus Access Road (FAAR) - Checklist

YCO 10-16, Amendment to Fire Apparatus Access Road

LENGTH	WIDTH	TURNAROUND REQUIRED	TURNOUT REQUIRED
0 – 150'	12' minimum width	NO	NO
151' - 200'	12' – 19' width	YES	NO
201' – 500'	12' – 19' width	YES	YES
501' – 750'	20' minimum width	YES	YES
OVER 750'	SPECIAL APPROVAL REQUIRED		

Driveway:

A driveway that provides a minimum unobstructed width of 12' and a minimum unobstructed height of 13' 6". Driveways in excess of 150' in length shall be provided with an approved turnaround. Driveways in excess of 200' in length and less than 20' in width shall be provided with approved turnouts, not to exceed 300' spacing in addition to the approved turnarounds.

Approved driveway can be a Fire Apparatus Access Road per YCO 10-2016.

Turnaround:

Driveways that connect with a road or roads at more than one point may be considered as having a turnaround if all change of direction meet the radii requirements for driveway turnarounds. A driveway turnaround with an inside turning radii of not less than 30' and outside turning radii of not less than 45'.

Turnarounds shall not encroach on adjacent parcels, unless included within a legally established road maintenance agreement, an access easement, or road.

Turn out:

A turn out that is adjacent to and adjoins the driveway or access road., with an all-weather surface at least **10' wide and 30' long in addition to the driveway** and 13' 6: of vertical clearance.

Grade: Shall not exceed 10%.

All-weather road surface:

An all-weather road surface shall be any surface material acceptable to the fire code official. The road shall be capable of supporting the imposed load of fire apparats weighing at least 175,000 lbs.

Private Road:

Any road, access way or easement that provides access to two or more addressable structures or units that is not included in the County Road Network.

When a Fire hydrant is located on a fire apparatus access road a 26' minimum road width is required.

EXCEPTION - Section 503.1.1. The fire code official is authorized to increase the dimension of 150' or allow an approved driveway or private road in lieu of a fire apparatus access road where:

1. Fire apparatus access roads cannot be installed because of location on property, topography, waterways, non-negotiable grades or other similar conditions, and an approved alternative means of fire protection is provided.
2. The building is equipped with an approved automatic sprinkler system installed in accordance with Section 903.3.1.1, 903.3.1.2, or 903.3.1.3.
3. There are not more than four (4) Group R-3 or Group U Occupancies.
4. There is no land use action.